

Technical data sheet



Product features

Cooking range solid top gas with static gas oven GN 2/1 - 3x burner

Model	SAP Code	00018741
--------------	-----------------	----------



- Device type: Gas unit
- Ignition: Piezo+večný plamen
- Protection of controls: IPX4
- Material: Stainless steel

SAP Code	00018741	Power gas [kW]	25.400
Net Width [mm]	800	Type of gas	Propane butane, natural gas
Net Depth [mm]	700	Width of internal part [mm]	657
Net Height [mm]	900	Depth of internal part [mm]	558
Net Weight [kg]	140.00	Height of internal part [mm]	308

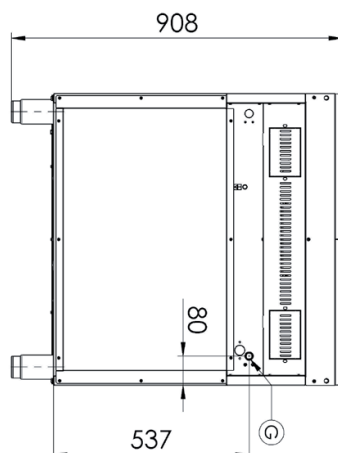
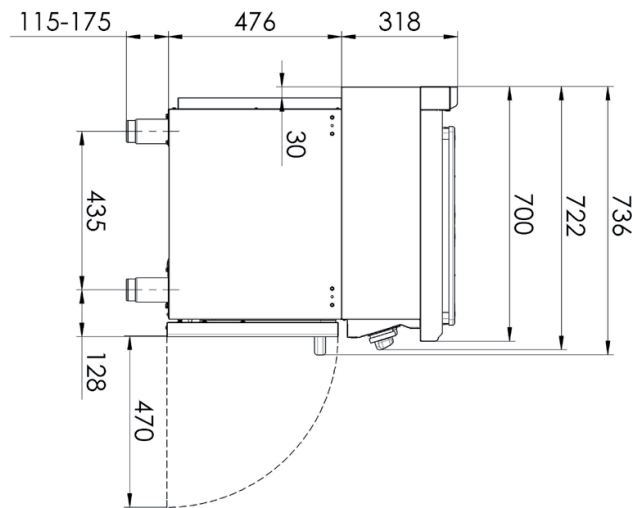
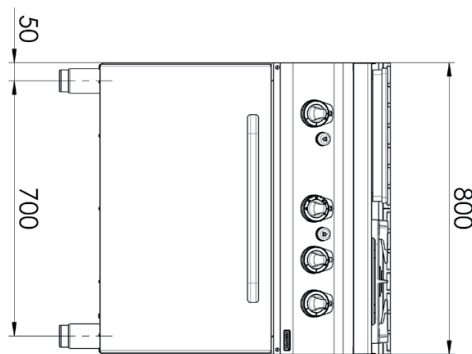
Technical data sheet



Technical drawing

Cooking range solid top gas with static gas oven GN 2/1 - 3x burner

Model	SAP Code	00018741
--------------	-----------------	----------



Technical data sheet



Technical parameters

Cooking range solid top gas with static gas oven GN 2/1 - 3x burner

Model

SAP Code

00018741

1. SAP Code:

00018741

2. Article group:

Stoves with oven

3. Net Width [mm]:

800

4. Net Depth [mm]:

700

5. Net Height [mm]:

900

6. Net Weight [kg]:

140.00

7. Gross Width [mm]:

840

8. Gross depth [mm]:

800

9. Gross Height [mm]:

975

10. Gross Weight [kg]:

140.00

11. Device type:

Gas unit

12. Construction type of device:

With substructure

13. Power gas [kW]:

25.400

14. Ignition:

Piezo+večný plamen

15. Type of gas:

Propane butane, natural gas

16. Protection of controls:

IPX4

17. Material:

Stainless steel

18. Indicators:

operation and warm-up

19. Worktop material:

AISI 304

20. Worktop Thickness [mm]:

1.20

21. Number of power control stages:

6

22. Safety thermocouple:

Yes

23. Number of burners/hot plates:

3

24. Type of gas cooking zones:

Fire protection to install + Classic burners

25. Burner type:

Brass, detachable

26. Oven Type:

gas static

27. Oven size:

GN 2/1

28. Oven material:

Stainless steel

Technical data sheet



Technical parameters

Cooking range solid top gas with static gas oven GN 2/1 - 3x burner

Model

SAP Code

00018741

29. Width of internal part [mm]:

657

32. Maximum temperature of the inner chamber [°C]:

300

30. Depth of internal part [mm]:

558

33. Minimum temperature of the inner chamber [°C]:

50

31. Height of internal part [mm]:

308